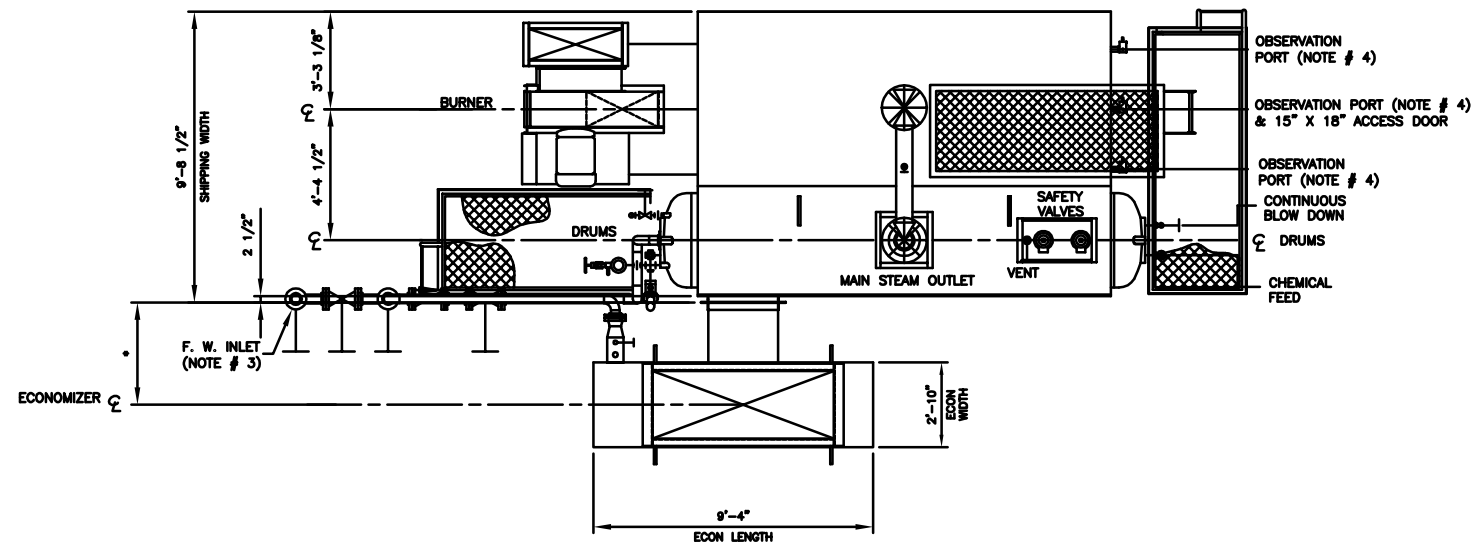


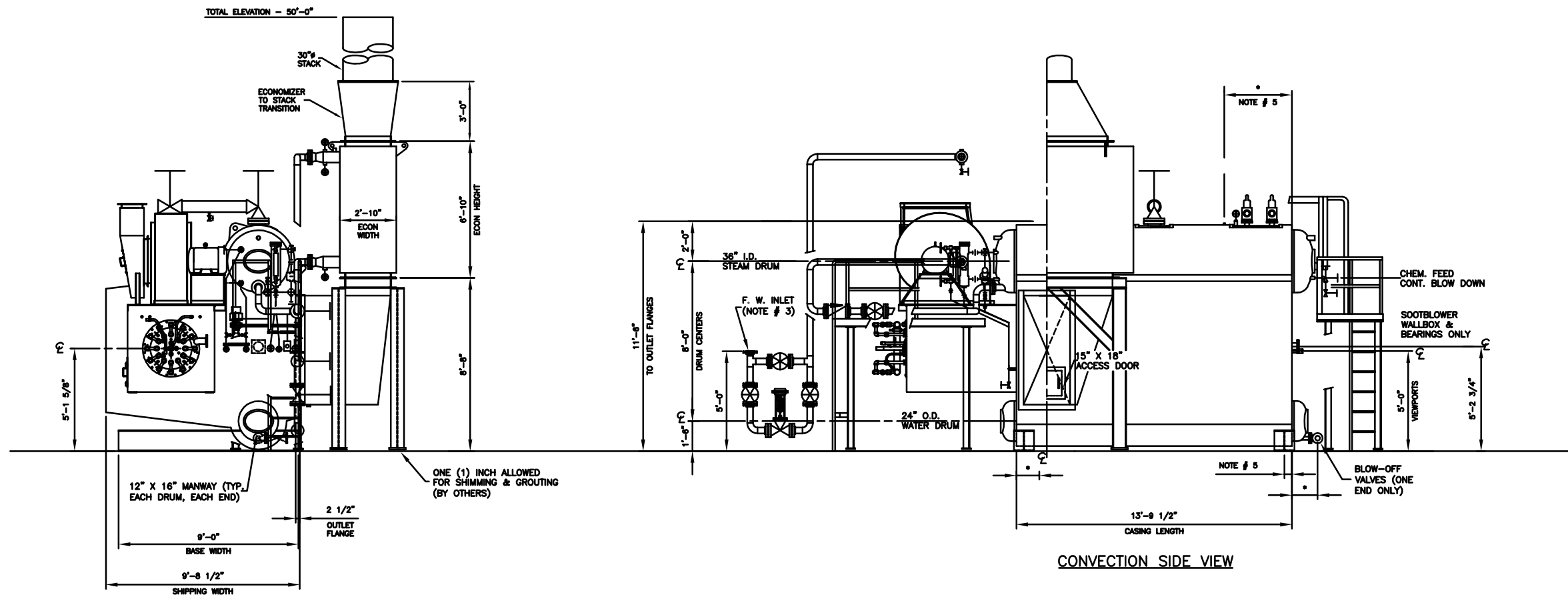
**NOTES:**

1. DRAWING IS FOR OVERALL SIZE AND ARRANGEMENT ONLY. REFER TO PROPOSAL FOR ACTUAL TRIM LIST.
2. DRAWING IS NOT TO BE USED FOR CONSTRUCTION PURPOSES.
3. FEEDWATER SIZING AND LOCATIONS OF VALVES AND PIPING IS A REPRESENTATION ONLY, AND IS USED TO SHOW AN EASILY VISIBLE PICTORIAL VIEW.
4. \* - DENOTES TO BE DETERMINED. NUMBER AND LOCATION OF OBSERVATION PORTS TO BE DETERMINED.
5. LIFTING LUGS AND BOILER SUPPORT BEAMS WILL BE SIZED AND LOCATED UPON FINAL ENGINEERING.

DO NOT SCALE - USE DIMENSIONS ONLY		TYP./B.O. INDICATED NOT FURNISHED BY CB NB	
DO NOT USE FOR CONSTRUCTION UNLESS APPROVED BELOW			
THIS DRAWING IS THE PROPERTY OF CB NEBRASKA BOILER AND IS LOANED ON CONDITION THAT IT SHALL NOT BE COPIED OR REPRODUCED IN WHOLE OR IN PART OR DISCLOSED TO ANY THIRD PARTY OR USED IN ANY WAY WITHOUT THE WRITTEN CONSENT OF CB NEBRASKA BOILER. ANY EQUIPMENT OR MATERIAL SHOWN, BUT NOT FURNISHED BY CB NEBRASKA BOILER, IS FOR ILLUSTRATING THE APPLICATION, AND CB NEBRASKA BOILER ACCEPTS NO RESPONSIBILITY AS TO INSTALLATION OR OPERATION OF SUCH EQUIPMENT OR MATERIALS.			
REV.	DATE	DESCRIPTION	DWN



PLAN VIEW



CONVECTION SIDE VIEW

**CB NEBRASKA BOILER®**  
The power of commitment.™

GENERAL ARRANGEMENT SERIES:  
NB-100D-40 W/ECON (AL-HM)

LAYOUT DRAWING FOR  
30,000 LB./HR. BOILER

SCALE: NONE	DATE: APRIL 24, 2007
DRAWN BY: KENB	CHECKED: _____
JOB NO: PROPOSAL	SERIAL NO: _____
QTY: _____	DRAWING NO: NB-100D-40