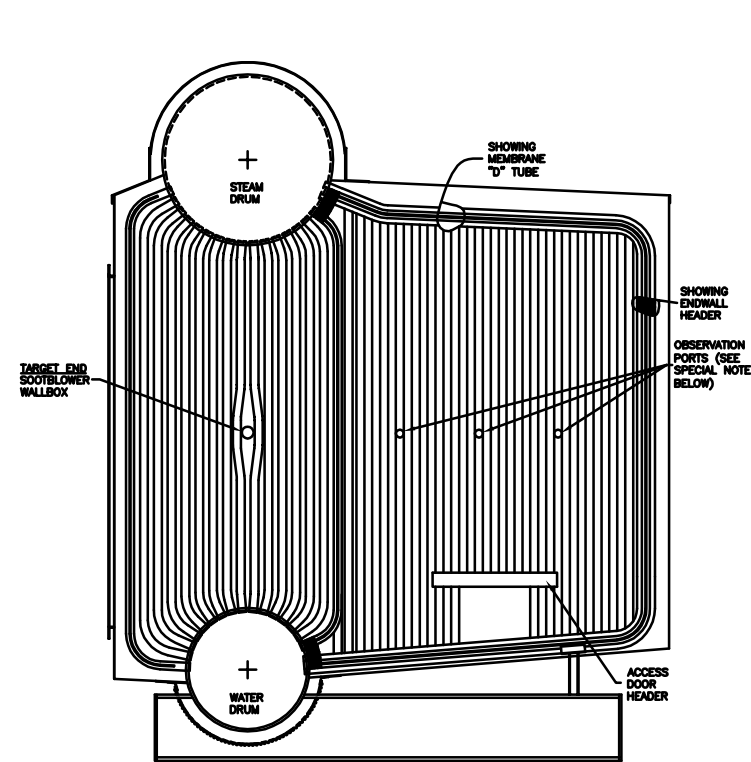
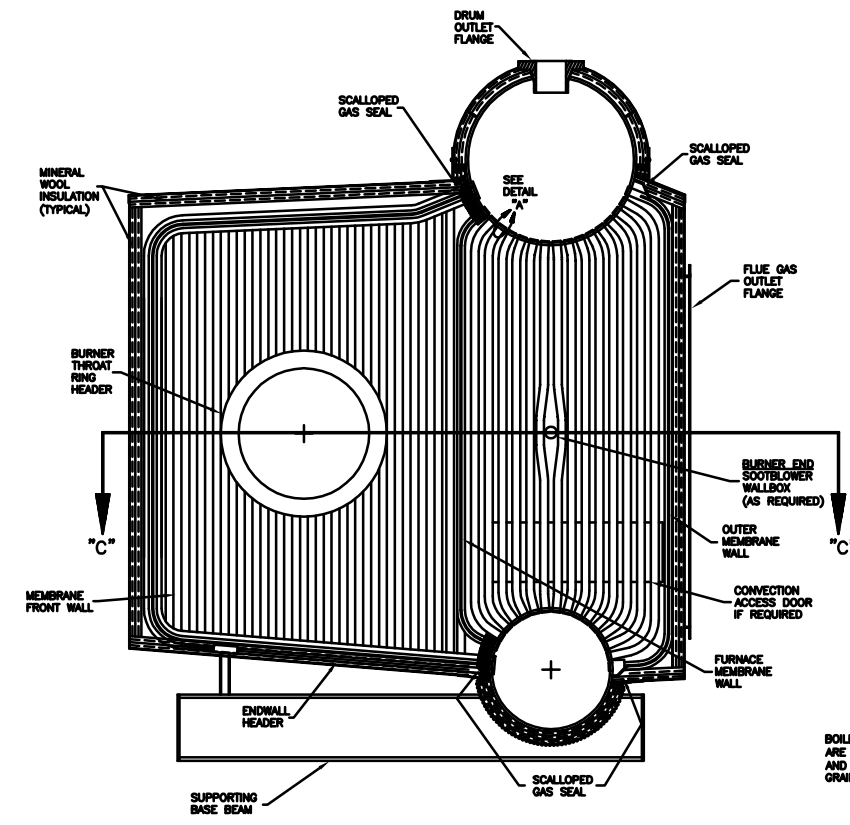


DO NOT SCALE - USE DIMENSIONS ONLY  
 DO NOT USE FOR CONSTRUCTION UNLESS APPROVED BELOW  
 THIS DRAWING IS THE PROPERTY OF NEBRASKA BOILER AND IS LOANED ON CONDITION THAT IT SHALL NOT BE COPIED OR REPRODUCED IN WHOLE OR IN PART OR DISCLOSED TO ANY THIRD PARTY OR USED IN ANY WAY WITHOUT THE WRITTEN CONSENT OF NEBRASKA BOILER. ANY EQUIPMENT OR MATERIAL SHOWN, BUT NOT FURNISHED BY NEBRASKA BOILER, IS FOR ILLUSTRATING THE APPLICATION, AND NEBRASKA BOILER ACCEPTS NO RESPONSIBILITY AS TO INSTALLATION OR OPERATION OF SUCH EQUIPMENT OR MATERIALS.

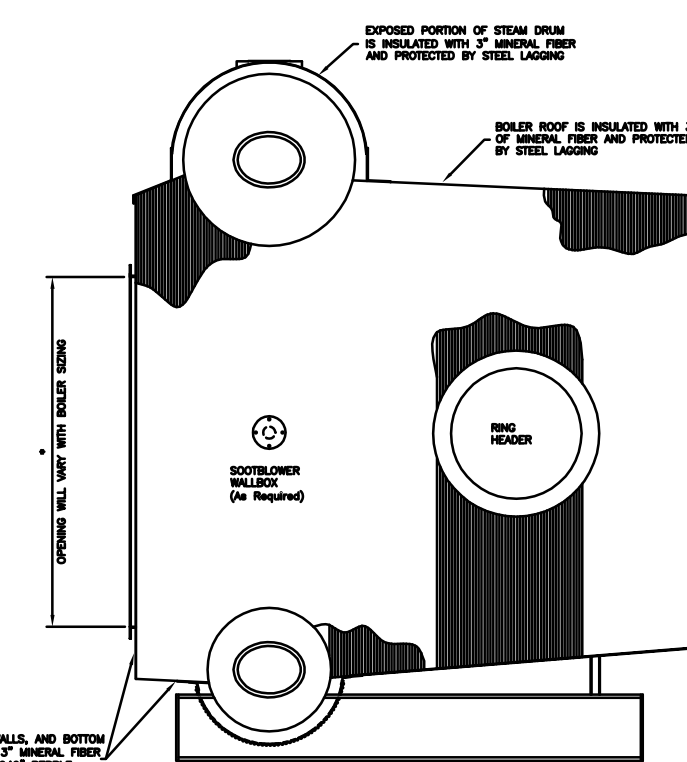
REV.	DATE	DESCRIPTION	DWN	CHKD	APPR



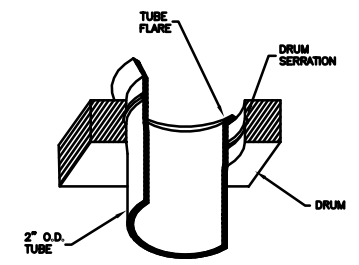
VERTICAL SECTION "A" - "A"  
 As viewed from inside boiler  
 (Not showing insulation)



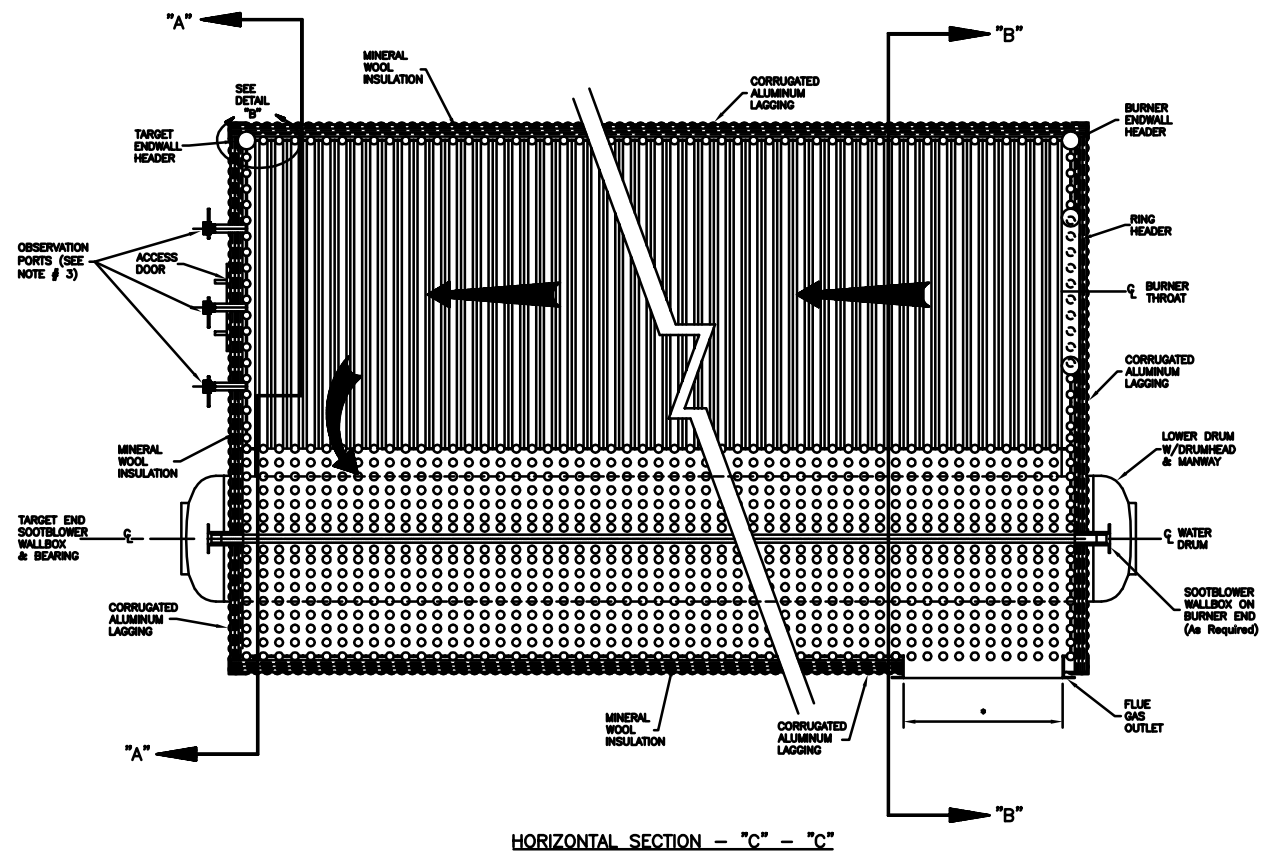
VERTICAL SECTION "B" - "B"  
 As viewed from inside boiler  
 (WITH BURNER RING HEADER)



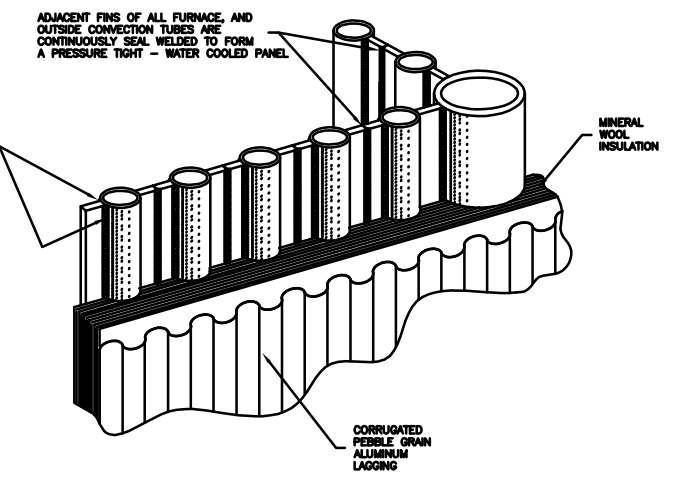
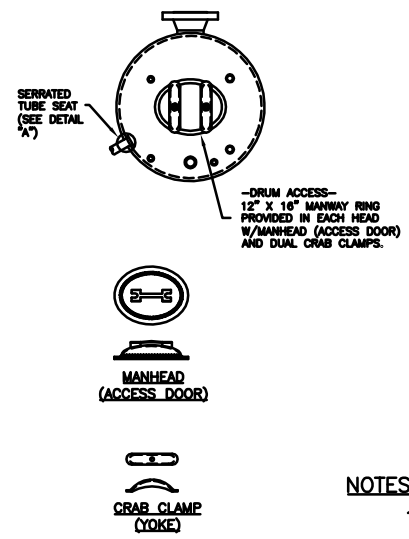
BURNER END VIEW  
 Burner support not shown



DETAIL - "A"  
 Tube to Drum Installation



HORIZONTAL SECTION - "C" - "C"



DETAIL "B"  
 WELDED WALL CONSTRUCTION  
 W/Header Endwall Unit

- NOTES:
1. BOILER CONSTRUCTION IS PER THE LATEST EDITION OF THE A.S.M.E. POWER BOILER CODE.
  2. EXTERIOR OF DRUMS AND TUBES IS COVERED WITH 3" OF FIBER INSULATION, AND PROTECTED BY OUTER CASING.
  3. NUMBER, SIZING, AND LOCATIONS OF OBSERVATION PORTS IS TO BE DETERMINED.
  4. \* - DENOTES TO BE DETERMINED.

"THIS DRAWING IS A REPRESENTATION OF VARIOUS MODELS OF THE NEBRASKA "D" TYPE BOILER. NUMBERS AND SPACING OF TUBES, AND BURNER OPENINGS WILL VARY." AREAS BETWEEN WALL TUBES, AND WALL TUBES AND CASING ARE SEALED AND INSULATED FOR A PRESSURE TIGHT CASING. THIS DRAWING IS A PICTORIAL VIEW FOR CUSTOMER CONVENIENCE AND INFORMATION. SOME RECENT MANUFACTURING ADVANCES MAY NOT BE SHOWN.

**GB NEBRASKA BOILER**  
*The power of commitment.*

BOILER CONSTRUCTION SERIES:  
 "D" TYPE WITH MEMBRANE WALLS  
 AND BURNER COOLING RING HEADER

-ALUMINUM CASING-

SCALE: NONE	DATE: FEBRUARY, 2007
DRAWN BY: KENB	CHECKED:
JOB NO: SALES ILLUSTRATION	SERIAL NO:
QTY:	DRAWING NO: D-ALHMSTD-1