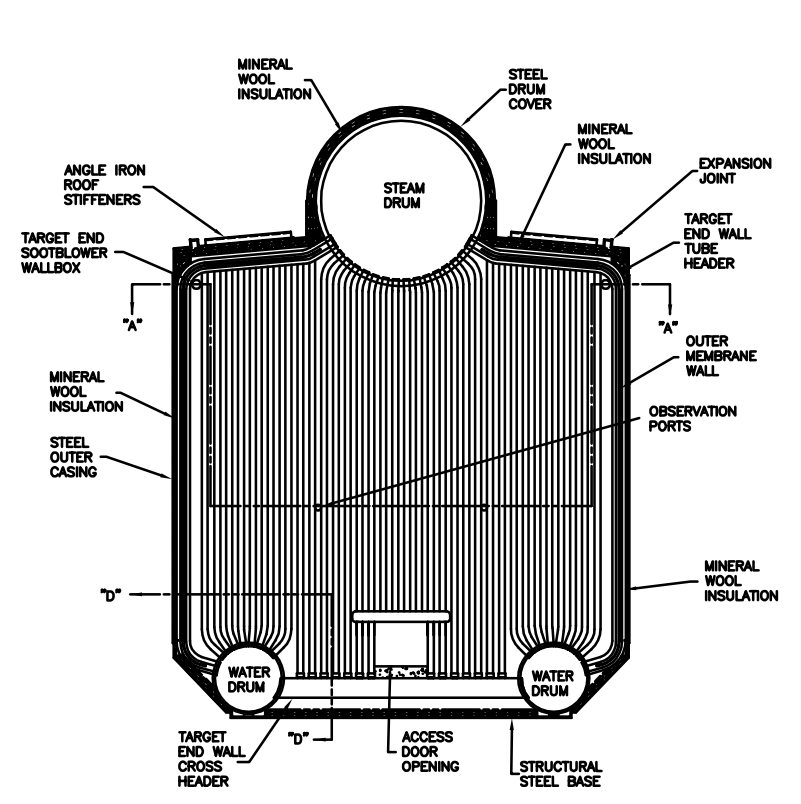
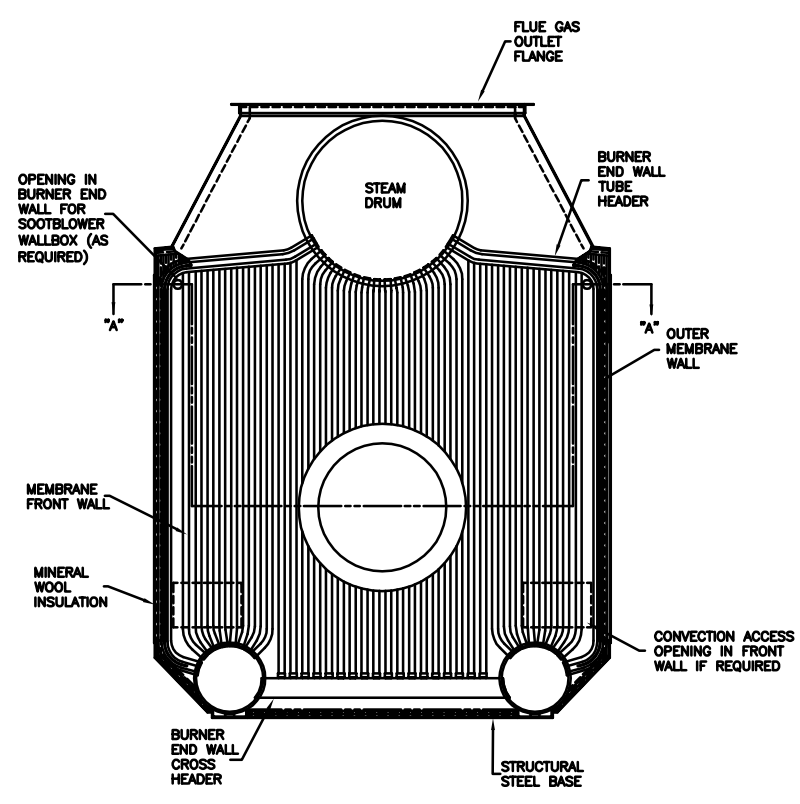


DO NOT SCALE - USE DIMENSIONS ONLY
 DO NOT USE FOR CONSTRUCTION UNLESS APPROVED BELOW
 THIS DRAWING IS THE PROPERTY OF CB NEBRASKA BOILER AND IS LOANED ON CONDITION THAT IT SHALL NOT BE COPIED OR REPRODUCED IN WHOLE OR IN PART OR DISCLOSED TO ANY THIRD PARTY OR USED IN ANY WAY WITHOUT THE WRITTEN CONSENT OF CB NEBRASKA BOILER. ANY EQUIPMENT OR MATERIAL SHOWN, BUT NOT FURNISHED BY CB NEBRASKA BOILER, IS FOR ILLUSTRATING THE APPLICATION, AND CB NEBRASKA BOILER ACCEPTS NO RESPONSIBILITY AS TO INSTALLATION OR OPERATION OF SUCH EQUIPMENT OR MATERIALS.

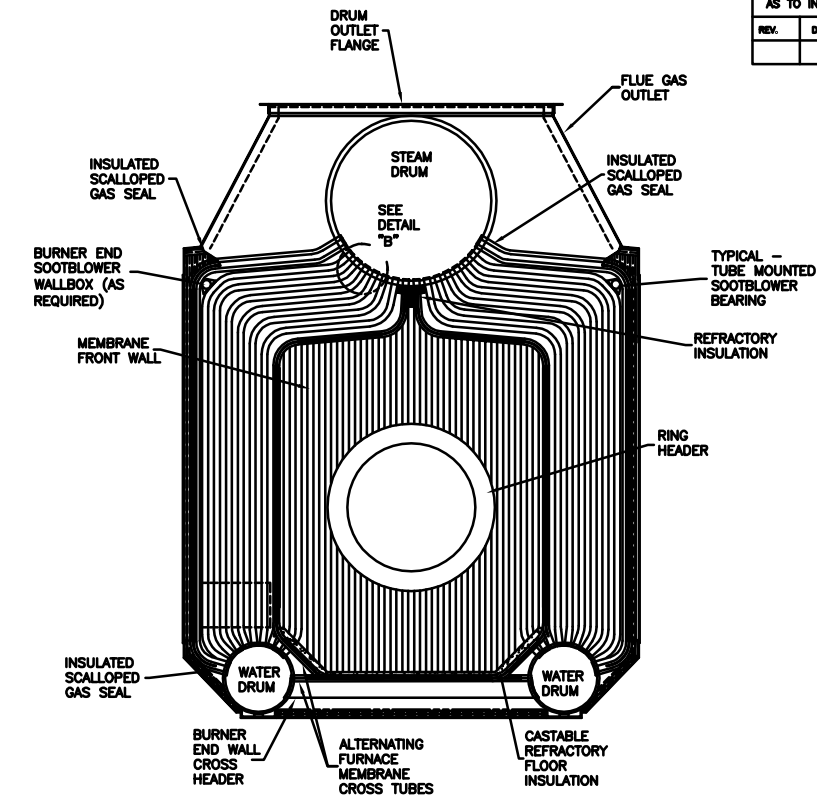
REV.	DATE	DESCRIPTION	DWN	CHK	APPR



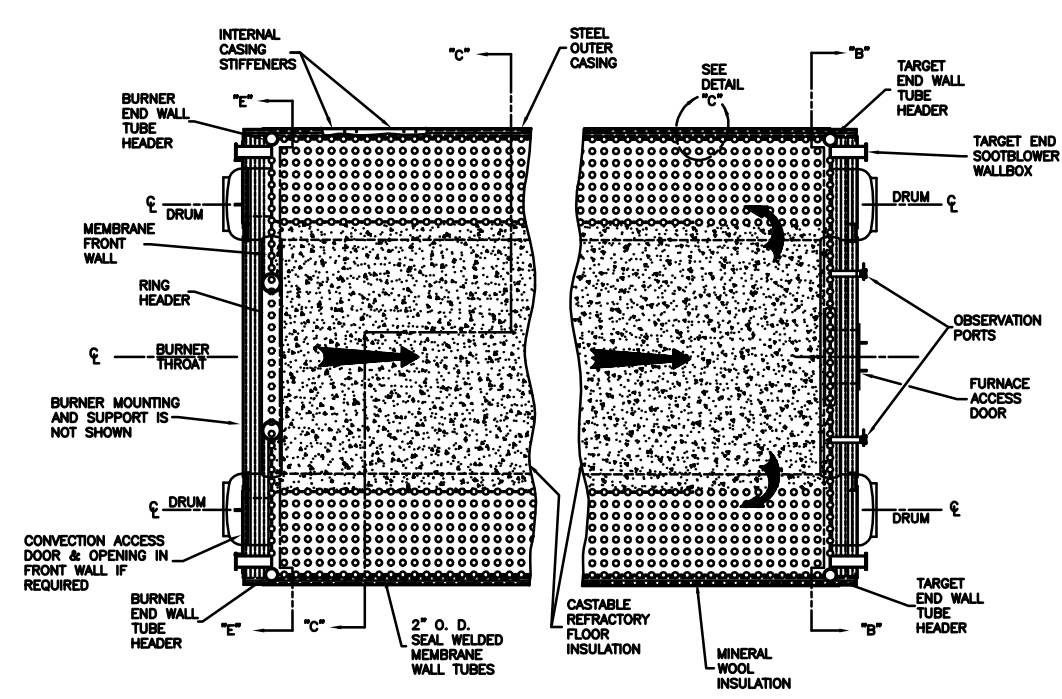
VERTICAL SECTION "B"-
 TARGET END MEMBRANE WALL ASSEMBLY
 Viewed From Inside



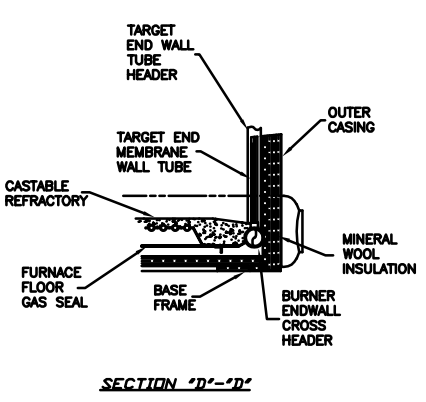
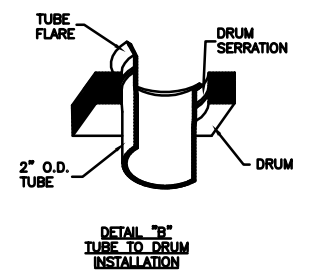
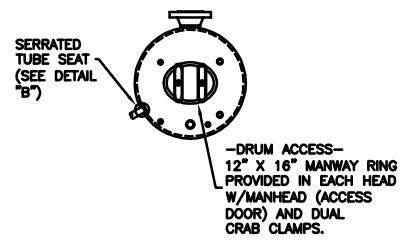
VERTICAL SECTION "E"-
 BURNER END MEMBRANE WALL ASSEMBLY
 Viewed From Inside



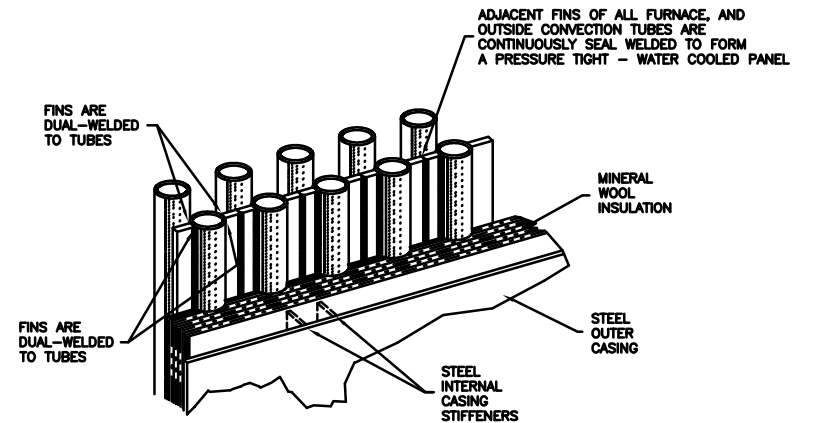
VERTICAL SECTION "C"-
 BURNER END ASSEMBLY
 Viewed From Inside



HORIZONTAL SECTION - "A"-
 "A"



SECTION "D"-
 "D"



DETAIL "C"
 Welded Wall Construction

- NOTE:
1. BOILER CONSTRUCTION IS PER THE LATEST EDITION OF THE A.S.M.E. POWER BOILER CODE.
 2. AREAS BETWEEN WALL TUBES, AND WALL TUBES AND CASING ARE SEALED AND INSULATED.

"THIS DRAWING IS A REPRESENTATION OF VARIOUS MODELS OF THE CB NEBRASKA BOILER "A" TYPE. OBSERVATION PORTS, TUBE NUMBERS AND SPACING AND THROAT SIZES WILL VARY." THE DRAWING IS A PICTORIAL VIEW FOR CUSTOMER CONVENIENCE. SOME MANUFACTURING ADVANCES MAY NOT BE INCLUDED.



"A" TYPE BOILER ILLUSTRATION
 MEMBRANE WALL HEADERS ON
 FRONT WALL AND REAR WALL

-REUSE TITLE BLOCK-

SCALE: NONE	DATE: FEBRUARY, 2007
DRAWN BY: KENB	CHECKED:
JOB NO: PROPOSAL	SERIAL NO:
QTY:	DRAWING NO:

A-HBOTH